

LIGHT



Mobile lighting has reached new heights.

The FIREFLY delivers perfectly targeted illumination from its supremely versatile and extendable, high-reach mast.

Featuring four 1000W double-ended metal halide lights, and 350 degree rotation with the mast fully extended and operational, the FIREFLY helps you reach new heights in illumination.

Engineered in Australia, the FIREFLY is easy to transport, maintain and operate. With effortless one-person operation, it's ideal for rental markets, safety, events, security and construction applications.

With a super compact frame and retractable towbar, the lightweight FIREFLY keeps shipping costs to a minimum; up to eight fully assembled towers can be transported on a 40' flatbed truck, or 16 in a 40' container with minimal disassembly.

Designed with transport in mind, the FIREFLY can also be road licensed and towed by any car, and features forklift pockets, lifting points and tie down straps for when towing is not an option.

ALLIGHTPRIMAX

www.allightprimax.com





STANDARD EQUIPMENT



Height	2230 mm (7'3")
Stacked	2450mm (8')
Length Draw Bar Retracted	2160 mm (7'1")
Length Draw Bar Extended	3000 mm (9'8")
Width	1150 mm (3'8")
Mast Height Fully Extended	8.5m (31'2") Nominal
Max Weight (Wet)	892kg (1967lb)
Fuel	Diesel
Fuel Capacity	90 litres (24 US Gallons)
Engine	Perkins 403D-11
Engine Cylinders	3
Engine Aspiration	Natural
Combustion System	Indirect Injection
Alternator	6.5kW
Volts	240V / 110V / 220V
Hz	50 / 60
Power Outlets	1 x 10A
Type of Lights	Metal Halide
Number of Lights	4 x 1000 watts
Light Tilt	Manual
Mast Rotation	350° Manual operation
Mast Raise / Extension	Hydraulic
Mast High Wall Capacity	NA
Tire and Rim Size	13"
Stabilizers Support	Manual
Tow Hitch	Ball hitch
Brakes	Cable Drum Brakes
Environmental	Full Containment Bund

Shining Light

- Double-ended, metal halide lamps. Gas filled, with no internal filament, the risk of filament breakage as a result of vibration during transport is eliminated
- One-person easy operation mast raise without winch
- 350 degree mast rotation
- Quick change lamps
- Individually switchable lights

Clean, Efficient, Powerful

- Built to the most demanding standards, the quality CAT or Perkins D Series engines meets all off-highway emissions legislation for EU Stage IIIA
- Low cost of ownership, with 500 hour service intervals
- Ultra compact and lightweight engine delivers impressive power and torque

Quality Body, Built for Transport

- New design ballast box lifts out providing easy service access
- Retractable towbar
- Forklift pockets and lifting points for when towing is not an option
- Up to 16 units can be transported in 40' container with minimal disassembly, or eight fully assembled units on a 40' flatbed truck

OPTIONAL



- Sound Attenuation Kit
- Spare Wheel
- Battery Isolation
- Main Isolation Switch
- Emergency Stop
- Fire Extinguisher
- CAT Engine

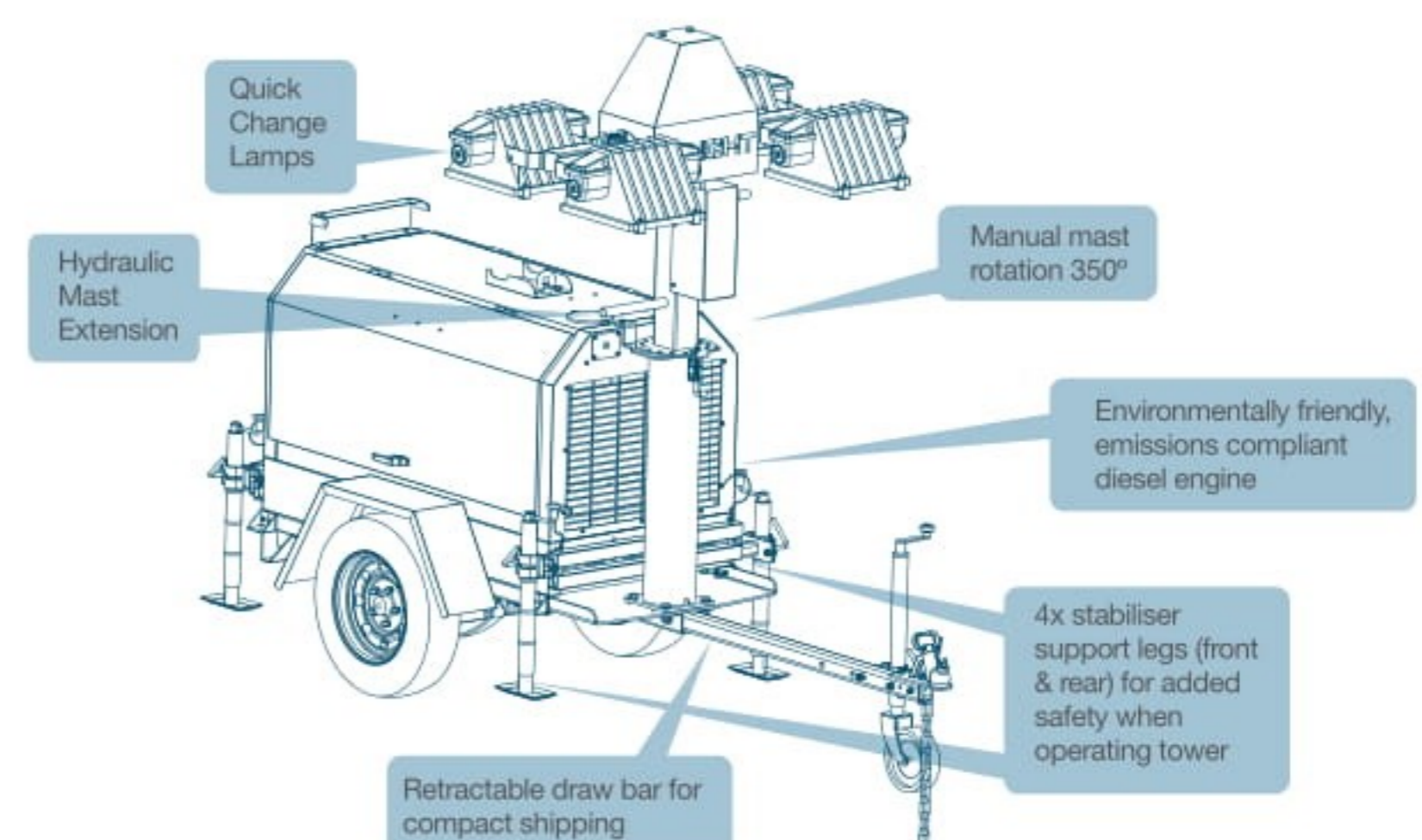
TYPICAL TRUCK TRANSPORTATION



TYPICAL CAR TRANSPORTATION



TYPICAL CONTAINER TRANSPORTATION



*Subject to Change without notice

MAY 2012 - 1

ALLIGHTPRIMAX

www.allightprimax.com

